



Control Thermostats

RAK-TR.1...

Electromechanical TR

- 2-position control thermostat with single-pole changeover microswitch
- **Switching capacity** contact connection 1-2: 10 (2.5) A, AC 250 V, (DIN3440)
contact connection 1-3: 6 (2.5) A, AC 250 V
- Time constant conforming to DIN 3440
- 3 mounting choices: pipe, pocket or wall mounting
- External setting knob for setpoint adjustment

Use

Typical applications:

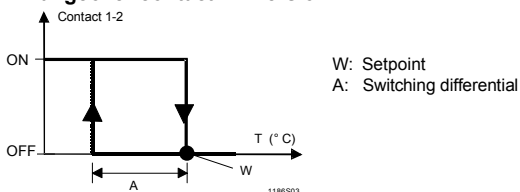
- Heat generation plant
- For general use in heating, ventilation and air conditioning plant

Function

Changeover switch
(S.P.D.T.)

When the setpoint is reached on rising temperature, contact connection 1-2 changes over to contact connection 1-3. When the temperature of the medium falls by the value of the switching differential, the control thermostat reverts to contact connection 1-2.

Changeover contact TR version



Type summary

Standard set	Temperature setting range	Capillary tube length	Scope of delivery	Pocket length ¹⁾
RAK-TR.1000B	15...95 °C	700 mm	Pocket (for RAK...B) /	100 mm
RAK-TR.1000S	15...95 °C		Clamping band for max. pipe dia. 100 mm /Cable gland M16x1.5 mm /	---
RAK-TR.1210B	15...82 °C		Mounting instructions	100 mm

1) Pocket ALT-SB100, brass nickel-plated, PN10

Accessories

Refer to Data Sheets N1193 and N1194.

Ordering

When ordering, please give type reference according to "Type summary" (standard set).

If the accessories required are not those included in the standard set, they can be ordered separately according to the type references given in Data Sheets N1193 and N1194.

Mechanical design

Housing

The base of the thermostat is made of PA (reinforced) and is designed for pipe, pocket or wall mounting; the electromechanical control thermostat (TR) uses a capillary type sensing element.

The cover is made of ABS + PC and accommodates the freely accessible setpoint setting knob.

The cable gland is M16x1.5 mm.

Notes

Mounting aid

Installation Instructions are enclosed in the package.

Mounting location

It must be ensured that there is sufficient clearance above the thermostat for adjusting the setpoint and for removing and replacing the thermostat, if required.

Pipe mounting

The clamping band should be properly tightened to ensure the entire length of the sensing element is in close contact with the pipe's surface.

Protection pocket mounting

Mount the pocket and adjust the hexagon as required. Immerse the capillary sensing element in the pocket and secure the base to the pocket by means of the screw.

Wall mounting with sensing element in the pocket

To prepare for wall mounting, knock out the fixing holes in the housing and pull out the capillary tube until the required length is reached. After immersing the capillary sensing element in the pocket, secure it with a clamp (mounting accessories).

Wiring

The appliance must be wired by the installer only.

The cables used must meet the insulation requirements for mains voltage.



Wire the thermostat according to the connection diagram and in compliance with local regulations.

Max. AC 250 V

Caution: prior to opening the housing, disconnect the thermostat from the mains supply.

Earth connections must be made in compliance with the regulations.

Technical data

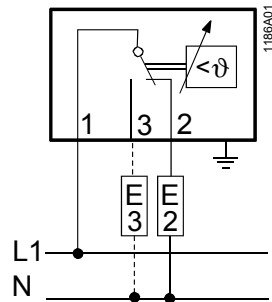
Switching mechanism	Switching capacity		
	Nominal voltage	AC 24...250 V	
	Nominal current I_M	contact connection 1-2	0.1... 10 (2.5) A
		contact connection 1-3	0.1... 6 (2.5) A
	External fuse	10 A	
	Life expectancy at nominal rating:	Contact 1-2	min. 250'000 switching cycles
		Contact 1-3	min. 100'000 switching cycles
	Safety class	I to EN 60 730	
	Degree of protection:	IP 43 to EN 60 529	
	Externally adjustable	temperature range RAK-TR.1000	15...95 °C
		temperature range RAK-TR.1210	15...82 °C
		Thermal switching differential	6 K (range dependent)
	Standards	 conformity	
Electromagnetic compatibility directive		89/336/EEC	
Low voltage directive		73/23/EEC	
Pressure equipment directive		97/23/EEC (CE 0497)	
ENEC (European Norms Electrical Certification)			
C-tick		 N474	
DIN3440		TR 113902 Working contact 1-2: 10(2.5) A	
Product standards			
Automatic electrical controls for household and similar use		EN 60 730-1	
Special requirements placed on temperature-dependent controls Type 1 action		EN 60 730-2-9 BL	
Radio interference protection	click rate N ≤5 to EN 55 014		
Environmental conditions	Operation	class 3K5 to IEC 60 721-3-3	
	Max. temperature on bulb	max. setpoint + 25 K	
	Ambient temperature at the housing	max. 50 °C (T50)	
	Humidity	< 95 % r.h.	
	Mechanism	class 3M2 to IEC 60 721-3-3	
	Storage and transport	class 2K3 to IEC 60 721-3-2	
	Ambient temperature	-25...+70 °C	
	Humidity	< 95 % r.h.	
	Max. temperature socket	135 °C	
	Degree of pollution	normal to EN 60 730	
	Controlled medium	Water, oil	
	Influence of the ambient temperature	-0.18 °C/°C	
	Calibration	Calibration temperature	max. setpoint
Manufacturing deviation		±3 °C	
Drift after life expectancy		< ±5 %	
Calibrated for ambient temperature at the switching mechanism and capillary tube		20 °C to DIN 3440	
Time constant in:		water	<45 s to DIN 3440
		oil	<60 s to DIN 3440
		air	<120 s to DIN 3440

Connections

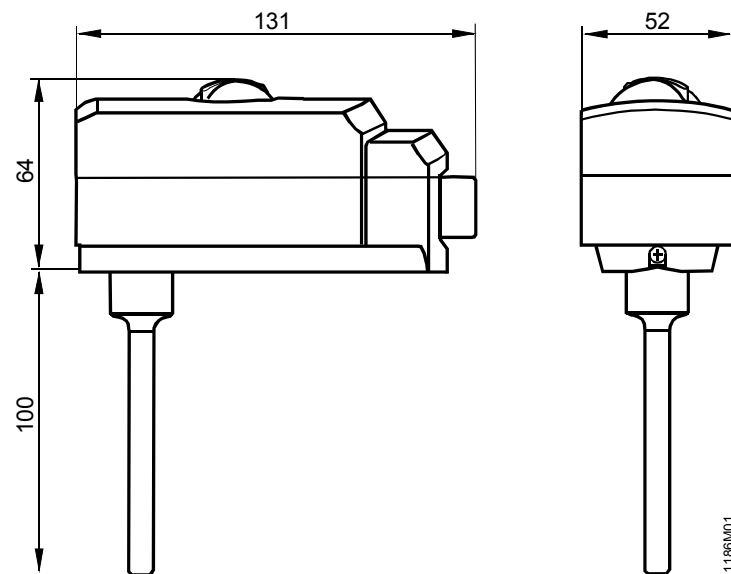
Electrical connections	screw terminals for wires 2 x 0.75...1.5 mm ²
Earth connection	screw terminal for wires 2 x 0.75...1.5 mm ²
Cable gland	M16 x 1.5 mm (for max. 4-core cable)
External wiring flexible cord	Type M attachment (designed to be connected with prepared conductors, e.g. ferrules)
Housing colors	base RAL 7001 (dark-grey) cover RAL 7035 (light-grey)
Dimensions of sensing element	6.5 mm dia. x 87 mm
Capillary length	700 mm
Min. bending radius of capillary	R min. = 5 mm
Construction	
Carrier of switching mechanism	plastic
Capillary tube and sensing element	copper
Diaphragm	stainless steel
Contacts	Ag.1000/1000 (silver)
Weight of standard set: RAK...B	0.33 kg
RAK...S	0.27 kg

General data

Connection diagram



Dimensions



©2001 Siemens Building Technologies AG

Subject to alteration