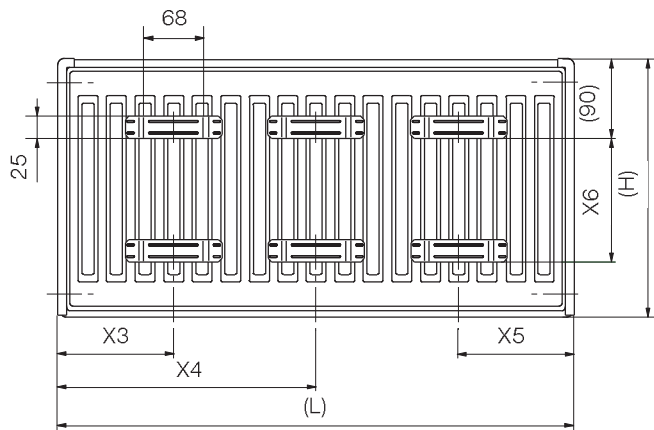


DATA FOR MOUNTING

Location of hangers



Position of radiator

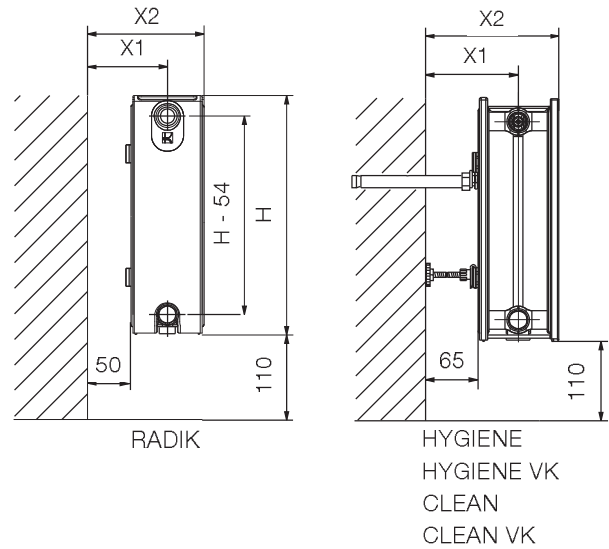


Table of sizes

Length L [mm]	400	500 - 1600	1800	2000	2300	2600	3000
X3	A	133	133	133	133	133	133
	B	167	167	167	167	167	167
	C	117	150	150	150	150	150
	D	100	133	133	133	133	133
X4	A	-	-	900	1000	1133	1300
	B	-	-	900	1000	1133	1300
	C	-	-	883	983	1150	1283
	D	-	-	900	1000	1133	1300
X5	A	133	133	133	133	133	133
	B	100	133	133	133	133	133
	C	117	150	150	150	150	150
	D	167	167	167	167	167	167

A - for Types 10, 20, 20S, 21, 22, 22 COMBI VK, 30, 33, 20 VK, 20S VK, 21 VK, 21 VKL, 22 VK, 22 VKL, 30 VK, 33 VK, 33 VKL

B - for Type 10 VK

C - for Types 11, 11 VK, 11 VKL, 11 VKM - L

D - for Types 10 VKL, 10 VKM - L

PLAN KLASIK = LINE KLASIK = HYGIENE = CLEAN = KLASIK

PLAN VK = PLAN VKM = LINE VK = HYGIENE VK = CLEAN VK = VKM = VK

PLAN VKL = LINE VKL = VKM - L = VKL

Table of sizes

Type	10	11	20	21	22	33
	10 VK	11 VK	20 R	21 R	22 R	33 R ¹⁾
	10 VKL	11 VKL	20 VK	21 VK	22 VK	33 VK
	10 VKM	11 VKM		21 VKL	22 VKL	33 VKL
	10 VKM - L	11 VKM - L		21 VKM	22 VKM ²⁾	33 VKM ²⁾
				21 VKM - L	22 VKM - L ²⁾	33 VKM - L ²⁾
					22 COMBI VK	
X1	32	75	83	83	100	100
X2	64	107	116	116	150	205

The values of parameters **X1** and **X2** depend on Type of brackets applied.

The **X2** figure is increased by 2 mm for PLAN and LINE radiators.

¹⁾ Value **X1** for the model RADIK KLASIK - R Type 33 = 155 mm.

²⁾ Value **X1** for the model RADIK VKM and RADIK VKM - L Type 22, 33 = 83 mm.

Table of sizes HYGIENE, HYGIENE VK, CLEAN, CLEAN VK

Type	10	20 S	30
	10 VK	20 S VK	30 VK
X1	47	115	115
X2	79	165	220

The **X2** figure is increased by 2 mm for models HYGIENE, HYGIENE VK.

Overview of Types

Type	Number of panels	Number of convector plates
Type 10	1	0
Type 11	1	1
Type 20	2	0
Type 21	2	1
Type 22	2	2
Type 30	3	0
Type 33	3	3

Height H [mm]	300	400	500	600	700	900
X6	145	245	345	445	545	745

